

# TUBF0204 Product Brief

## 1. Description

The TBUF0204 belongs to a high-performance CMOS Clock Buffer Family. It boasts low skew characteristics and incorporates a synchronous glitch-free output enable feature to prevent any possibility of generating erroneous output clock cycles during the activation or deactivation of outputs. Furthermore, it can function reliably within a voltage supply range of 1.5V to 3.3V.

## 2. Features

- 1 to 4 fanout buffer
- Low skew outputs (250ps)
- Low power CMOS technology
- Supply voltage support 1.5V to 3.3V
- Output Enable pin tri-states outputs
- 3.6V tolerant input clock
- Totally Lead-Free & Fully RoHS Compliant
- Halogen and Antimony Free
- Packaged: 8-pin SOP

## 3. Applications

- IT infrastructure
- Automotive electronic

## 4. Functional Diagram

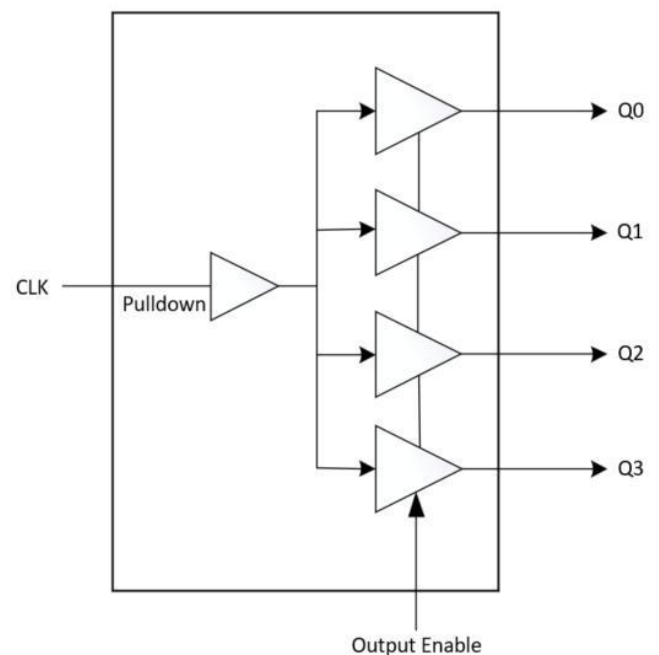


Figure 1 Functional Diagram